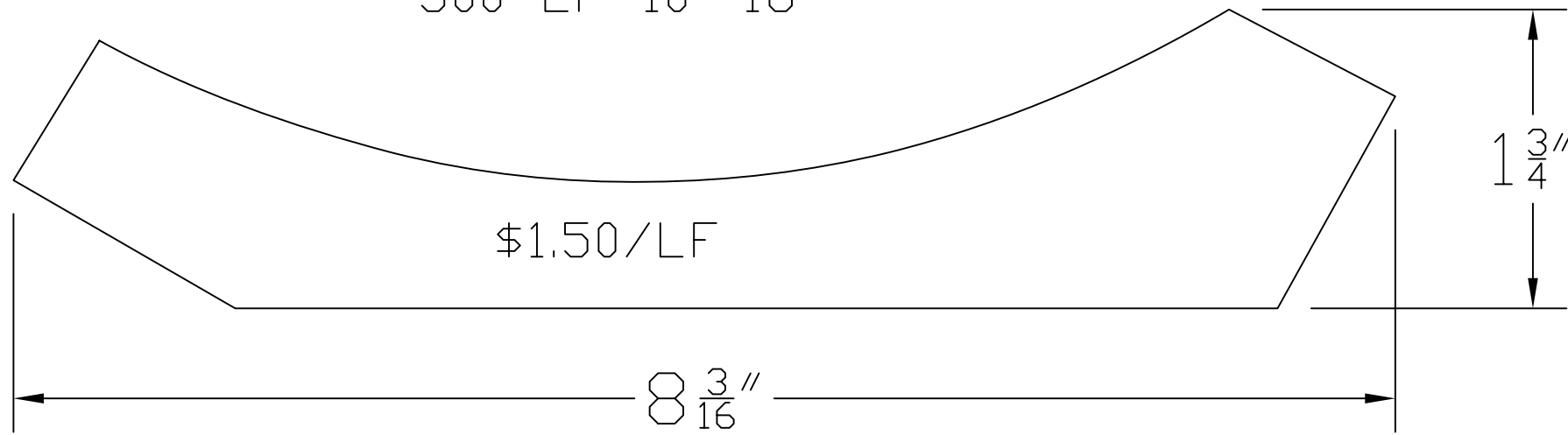
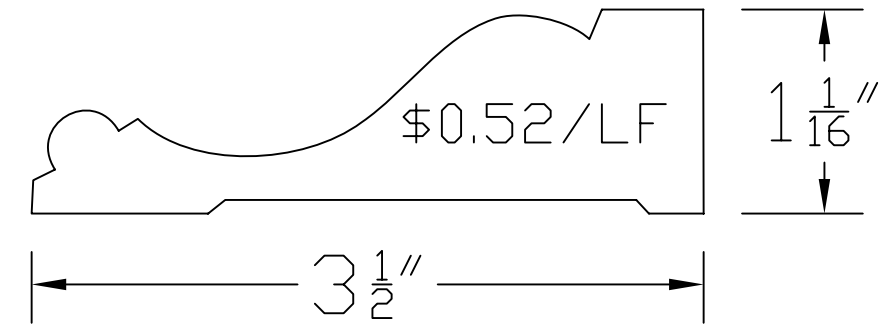


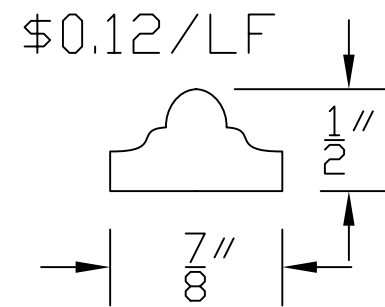
Poplar
Large Cove
500 LF 10'-16'



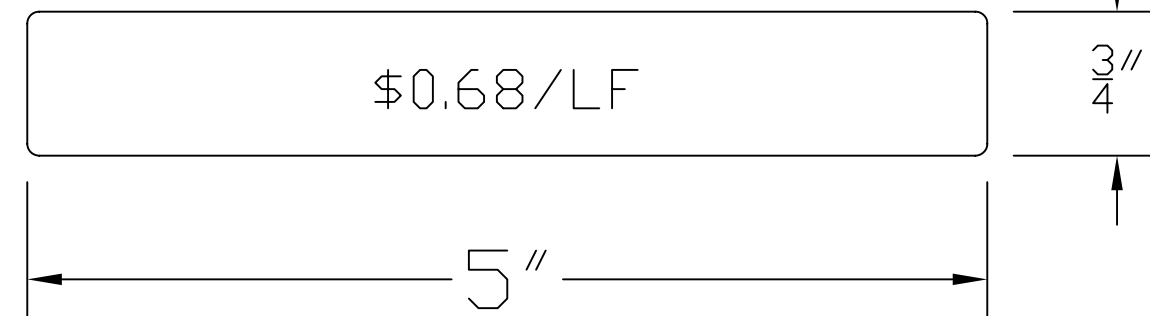
Poplar
Casing (NJ177)
1500 LF 8-16"



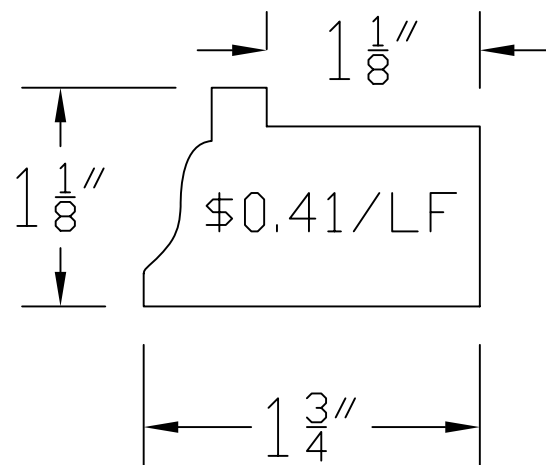
Poplar
Astrigal (OW1024B)
4100 LF 8'-16'



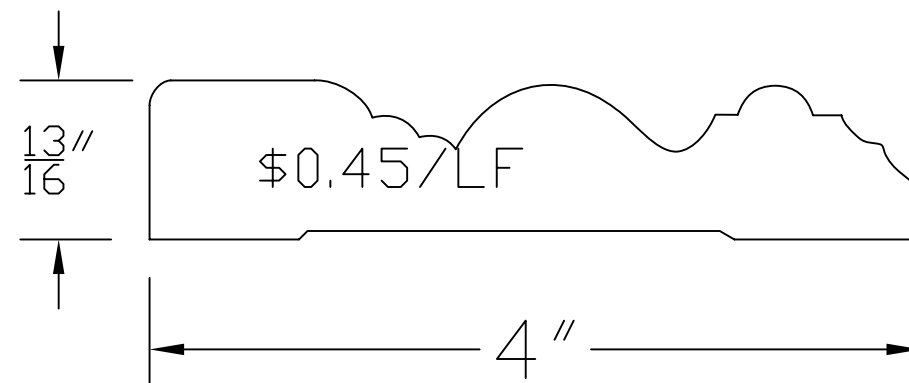
Cypress
S4S ¹/₁₆ Radius 4E
3200 LF 9'-16' HVY 14'-16'



Poplar
Backband
1800 LF 8'-16'



Poplar
Casing
1000 LF 10'-16'



PH: 800-523-4231 FX: 800-232-1798
www.alanmcilvain.com

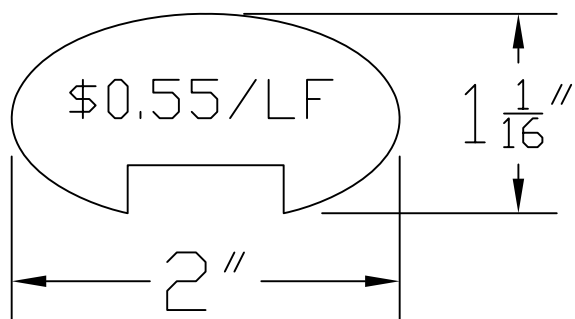
ALAN MCILVAIN CO.

Customer: AMC

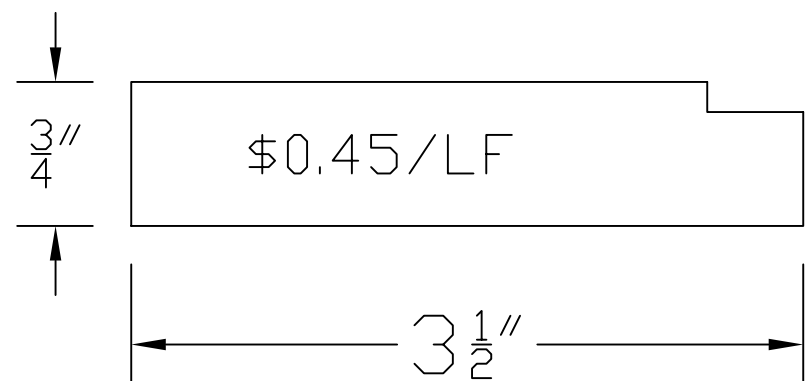
2/2/08 Drawn by: Lan McIlvain

Return Mouldings

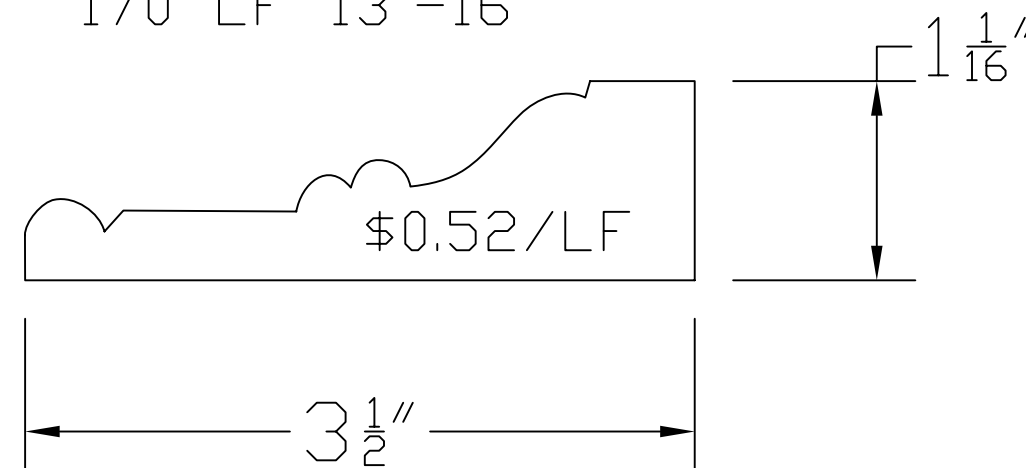
Red Oak
Oval Handral
278 LF 10'



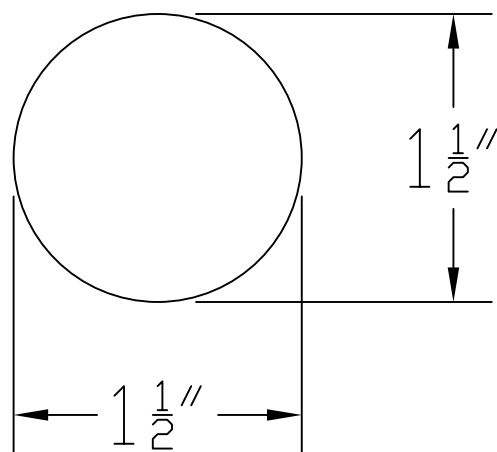
Poplar
S4S w/ 5/32" x 1/2" Rabbet
278 LF 10'



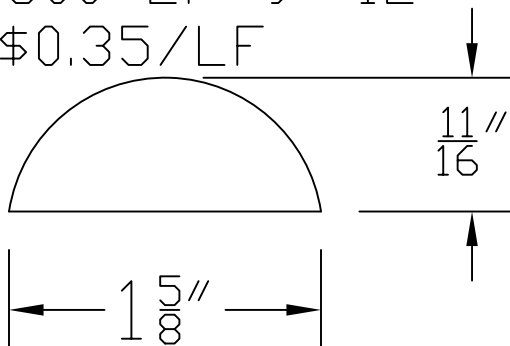
Poplar
Casing
170 LF 13'-16'



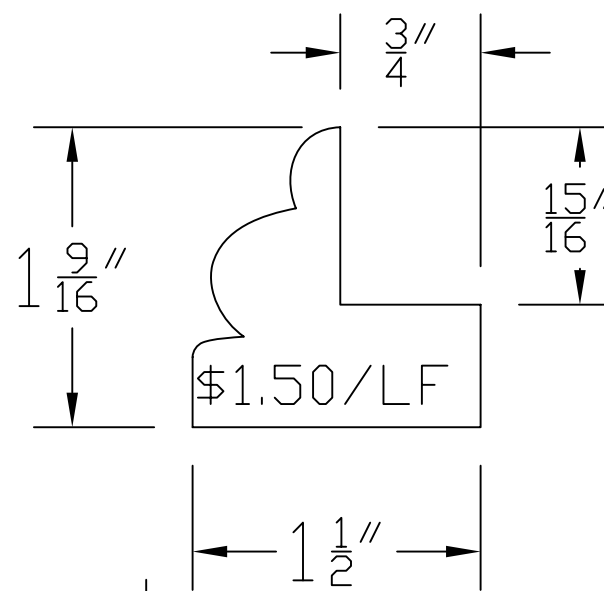
Red Oak & Cherry
Full Round
R.O. 100 LF 9'-12' \$0.79/LF
CH. 500 LF 9'-12' \$1.10/LF



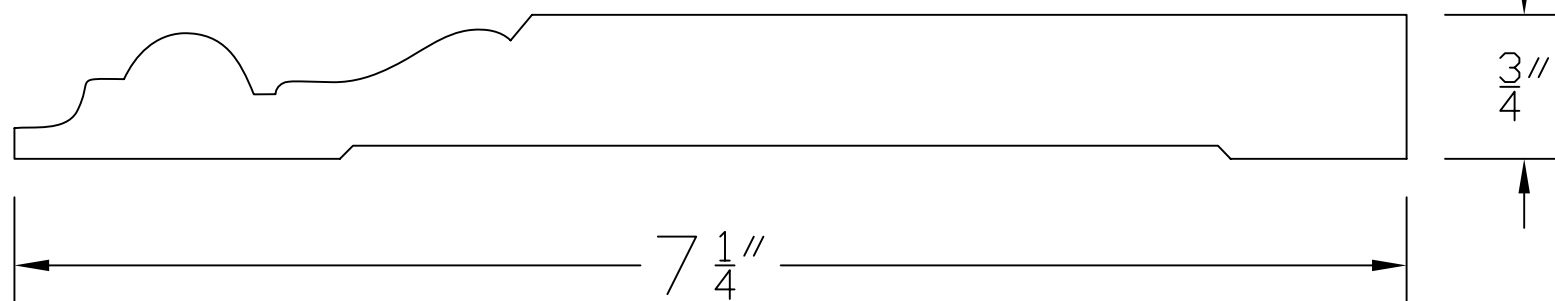
Poplar
Bullnose
300 LF 9'-12'
\$0.35/LF



Genuine Mahogany
Backband
300 LF 9'-12'



Poplar
Base (IM-174)
5 1/2" 1000 LF 13'-16' \$0.57/LF
7 1/4" 1000 LF 13'-16' \$0.72/LF



PH: 800-523-4231 FX: 800-232-1798
www.alanmcilvain.com

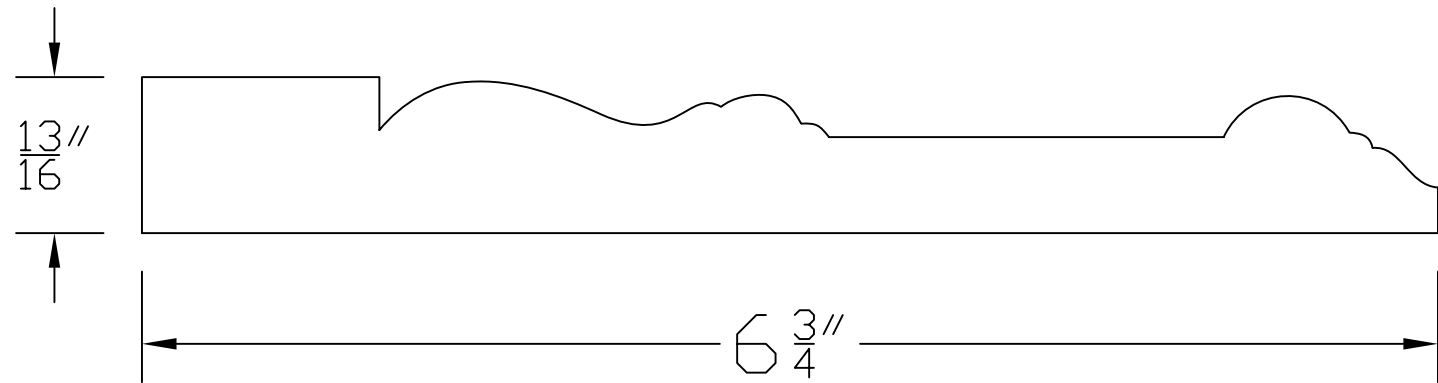
ALAN MCILVAIN CO.

Customer: AMC

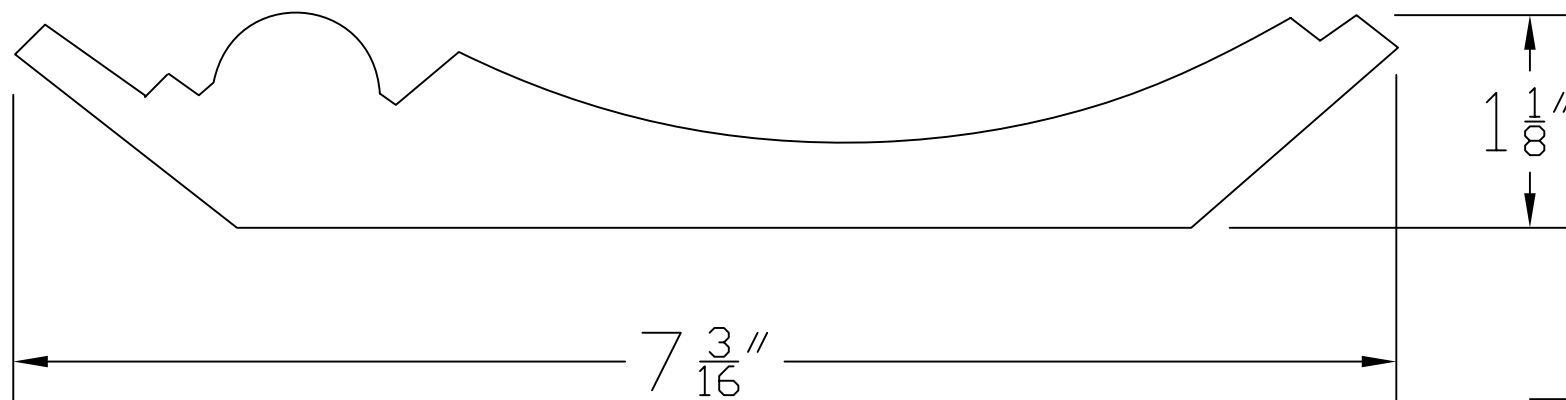
2/2/08 Drawn by: Lan McIlvain

Return Mouldings

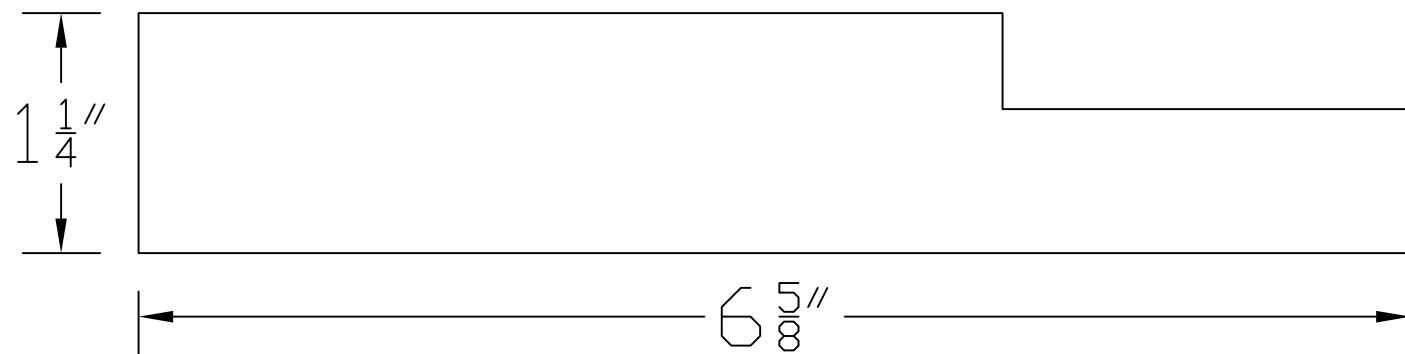
Poplar
Base
380 LF 10'-14'



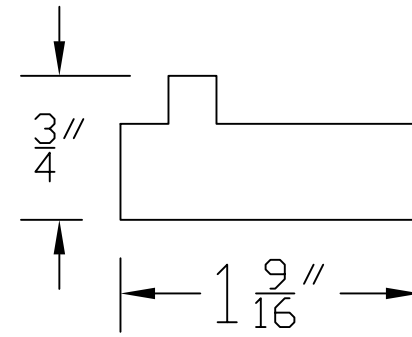
Poplar
Crown
75 LF 14'-16'



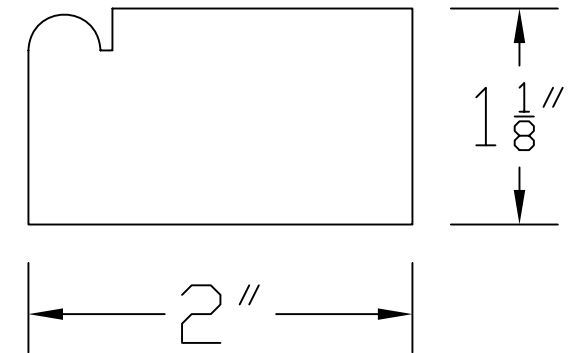
Red Oak
Jamb
270 LF 8'-12'



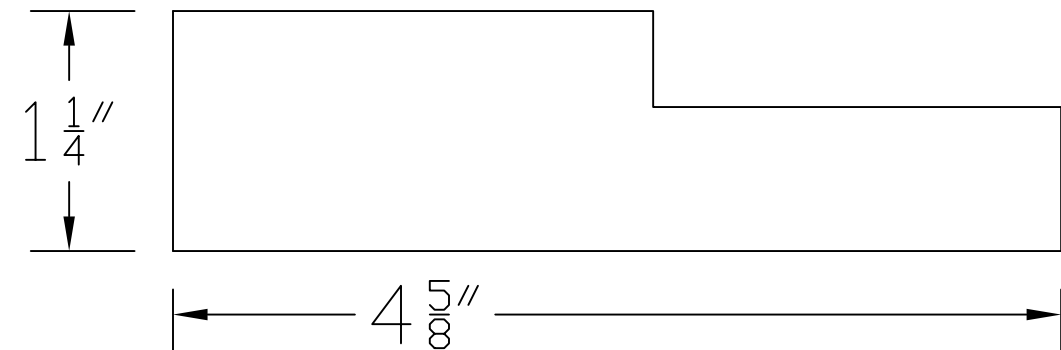
Red Oak
500 LF 8'-10'



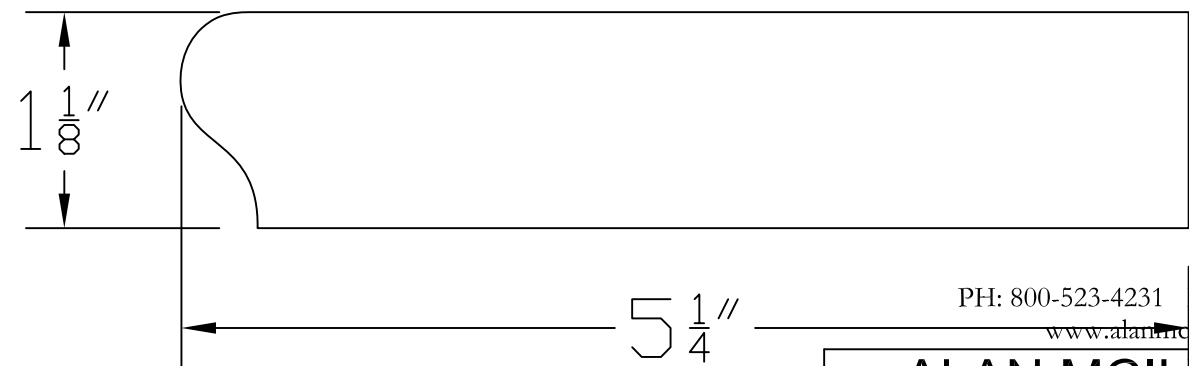
Poplar
1600 LF
13'-16'



Red Oak
Jamb
270 LF 8'-12'



Primed Poplar
Sill
500 LF 10'-12'



PH: 800-523-4231 FX: 800-232-1798

www.alanmcilvain.com

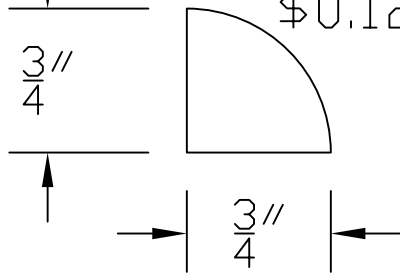
ALAN MCILVAIN CO.

Customer: AMC

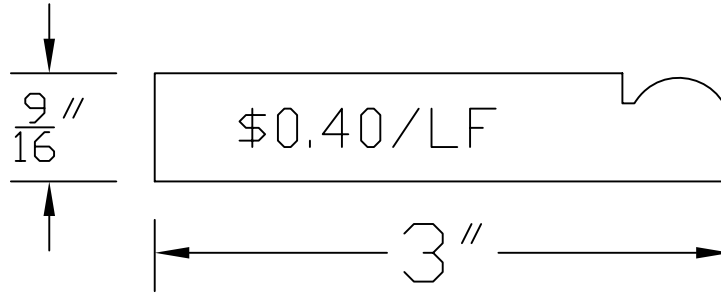
2/2/08 Drawn by: Lan McIlvain

Return Mouldings

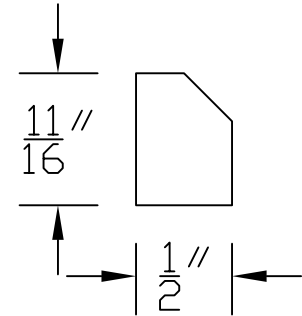
Poplar
Cove
2700 LF 8'-16'
\$0.12/LF



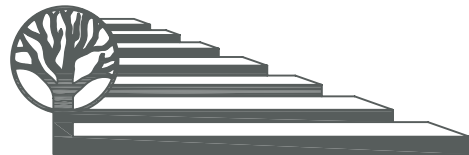
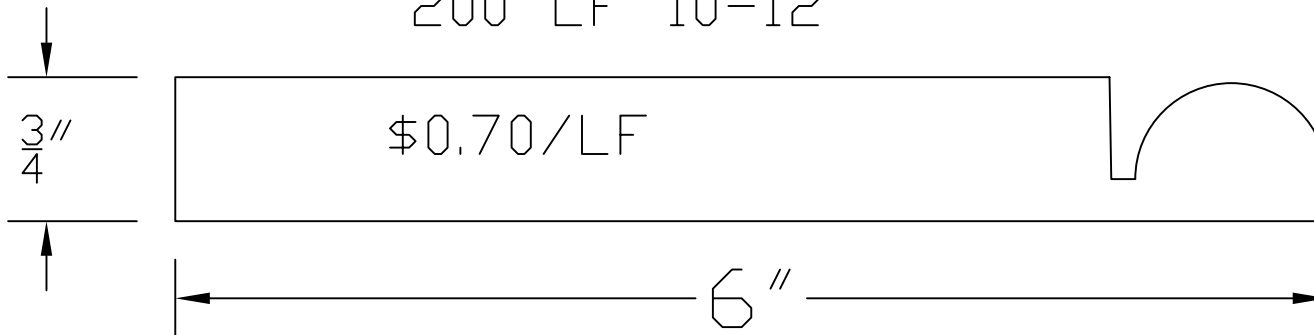
Poplar
Casing
200 LF RL



Poplar
chamfer
375 LF 13'-16'
\$0.12/LF



Red Oak
Base
200 LF 10-12



Alan McIlvain Company

PH: 800-523-4231 FX: 800-232-1798

www.alanmcilvain.com

ALAN MCILVAIN CO.

Customer: **AMC**

1/26/08

Drawn by: **Lan McIlvain**

Return Mouldings